

File Name: C:\Users\SAC-1\Desktop\NDS\ITMs\11-7010 Davis\11-7010-001 OLD DAVIS-I 80 EB.ppd

Start Date: 1/11/2011

Start Time: 7:00:00 AM

Site Code: 00000000

Comment 1: CITY OF DAVIS

Comment 2: BIKES ON BANK 1

Comment 3:

Comment 4:

Start Time	OLD DAVIS RD. Southbound				I-80 EB RAMPS Westbound				OLD DAVIS RD. Northbound				I-80 EB RAMPS Eastbound			
	Left	Thru	Right	Peds	Left	Thru	Right	Peds	Left	Thru	Right	Peds	Left	Thru	Right	Peds
07:00	6	5	0	0	0	0	0	0	0	5	2	0	25	1	9	0
07:15	6	9	0	0	0	0	0	0	0	6	2	0	29	0	8	0
07:30	7	13	0	0	0	0	0	0	0	11	1	0	44	1	7	0
07:45	8	17	0	0	0	0	0	0	0	9	2	0	99	1	15	0
08:00	6	19	0	0	0	0	0	0	0	14	4	0	90	0	21	0
08:15	12	11	0	0	0	0	0	0	0	12	3	0	79	0	13	0
08:30	10	15	0	0	0	0	0	0	0	9	6	0	88	1	15	0
08:45	12	18	0	0	0	0	0	0	0	13	1	0	85	0	5	0
09:00	0	0	0	0	0	0	0	0	0	0	0	0	0	0	0	0
09:15	0	0	0	0	0	0	0	0	0	0	0	0	0	0	0	0
09:30	0	0	0	0	0	0	0	0	0	0	0	0	0	0	0	0
09:45	0	0	0	0	0	0	0	0	0	0	0	0	0	0	0	0
10:00	0	0	0	0	0	0	0	0	0	0	0	0	0	0	0	0
10:15	0	0	0	0	0	0	0	0	0	0	0	0	0	0	0	0
10:30	0	0	0	0	0	0	0	0	0	0	0	0	0	0	0	0
10:45	0	0	0	0	0	0	0	0	0	0	0	0	0	0	0	0
11:00	0	0	0	0	0	0	0	0	0	0	0	0	0	0	0	0
11:15	0	0	0	0	0	0	0	0	0	0	0	0	0	0	0	0
11:30	0	0	0	0	0	0	0	0	0	0	0	0	0	0	0	0
11:45	0	0	0	0	0	0	0	0	0	0	0	0	0	0	0	0
12:00	0	0	0	0	0	0	0	0	0	0	0	0	0	0	0	0
12:15	0	0	0	0	0	0	0	0	0	0	0	0	0	0	0	0
12:30	0	0	0	0	0	0	0	0	0	0	0	0	0	0	0	0
12:45	0	0	0	0	0	0	0	0	0	0	0	0	0	0	0	0
13:00	0	0	0	0	0	0	0	0	0	0	0	0	0	0	0	0
13:15	0	0	0	0	0	0	0	0	0	0	0	0	0	0	0	0
13:30	0	0	0	0	0	0	0	0	0	0	0	0	0	0	0	0
13:45	0	0	0	0	0	0	0	0	0	0	0	0	0	0	0	0
14:00	0	0	0	0	0	0	0	0	0	0	0	0	0	0	0	0
14:15	0	0	0	0	0	0	0	0	0	0	0	0	0	0	0	0
14:30	0	0	0	0	0	0	0	0	0	0	0	0	0	0	0	0
14:45	0	0	0	0	0	0	0	0	0	0	0	0	0	0	0	0
15:00	0	0	0	0	0	0	0	0	0	0	0	0	0	0	0	0
15:15	0	0	0	0	0	0	0	0	0	0	0	0	0	0	0	0
15:30	0	0	0	0	0	0	0	0	0	0	0	0	0	0	0	0
15:45	0	0	0	0	0	0	0	0	0	0	0	0	0	0	0	0
16:00	76	7	0	0	0	0	0	0	0	12	6	0	13	4	5	0
16:15	38	4	0	0	0	0	0	0	0	11	5	0	13	2	1	0
16:30	64	9	0	0	0	0	0	0	0	18	7	0	12	0	4	0
16:45	60	7	0	0	0	0	0	0	0	16	16	0	28	1	7	0
17:00	92	4	0	0	0	0	0	0	0	31	8	0	15	1	2	0
17:15	90	7	0	0	0	0	0	0	0	13	4	0	16	0	2	0
17:30	53	2	0	0	0	0	0	0	0	10	7	0	16	1	1	0
17:45	55	0	0	0	0	0	0	0	0	5	2	0	10	0	4	0

File Name: C:\Users\SAC-1\Desktop\NDS\ITMs\11-7010 Davis\11-7010-002 OLD DAVIS-I 80 WB.ppd

Start Date: 1/11/2011

Start Time: 7:00:00 AM

Site Code: 00000000

Comment 1: CITY OF DAVIS

Comment 2: BIKES ON BANK 1

Comment 3:

Comment 4:

Start Time	OLD DAVIS RD. Southbound				I-80 WB RAMPS Westbound				OLD DAVIS RD. Northbound				I-80 WB RAMPS Eastbound			
	Left	Thru	Right	Peds	Left	Thru	Right	Peds	Left	Thru	Right	Peds	Left	Thru	Right	Peds
07:00	0	5	1	0	5	1	45	0	2	26	0	0	0	0	0	0
07:15	0	9	2	0	7	1	59	0	8	27	0	0	0	0	0	0
07:30	0	14	8	0	5	1	50	0	5	54	0	0	0	0	0	0
07:45	0	12	4	0	12	0	97	0	5	98	0	0	0	0	0	0
08:00	0	18	5	0	9	1	96	0	5	102	0	0	0	0	0	0
08:15	0	16	5	0	6	1	86	0	6	85	0	0	0	0	0	0
08:30	0	19	10	0	8	0	126	0	5	89	0	0	0	0	0	0
08:45	0	15	13	0	14	1	154	0	4	98	0	0	0	0	0	0
09:00	0	0	0	0	0	0	0	0	0	0	0	0	0	0	0	0
09:15	0	0	0	0	0	0	0	0	0	0	0	0	0	0	0	0
09:30	0	0	0	0	0	0	0	0	0	0	0	0	0	0	0	0
09:45	0	0	0	0	0	0	0	0	0	0	0	0	0	0	0	0
10:00	0	0	0	0	0	0	0	0	0	0	0	0	0	0	0	0
10:15	0	0	0	0	0	0	0	0	0	0	0	0	0	0	0	0
10:30	0	0	0	0	0	0	0	0	0	0	0	0	0	0	0	0
10:45	0	0	0	0	0	0	0	0	0	0	0	0	0	0	0	0
11:00	0	0	0	0	0	0	0	0	0	0	0	0	0	0	0	0
11:15	0	0	0	0	0	0	0	0	0	0	0	0	0	0	0	0
11:30	0	0	0	0	0	0	0	0	0	0	0	0	0	0	0	0
11:45	0	0	0	0	0	0	0	0	0	0	0	0	0	0	0	0
12:00	0	0	0	0	0	0	0	0	0	0	0	0	0	0	0	0
12:15	0	0	0	0	0	0	0	0	0	0	0	0	0	0	0	0
12:30	0	0	0	0	0	0	0	0	0	0	0	0	0	0	0	0
12:45	0	0	0	0	0	0	0	0	0	0	0	0	0	0	0	0
13:00	0	0	0	0	0	0	0	0	0	0	0	0	0	0	0	0
13:15	0	0	0	0	0	0	0	0	0	0	0	0	0	0	0	0
13:30	0	0	0	0	0	0	0	0	0	0	0	0	0	0	0	0
13:45	0	0	0	0	0	0	0	0	0	0	0	0	0	0	0	0
14:00	0	0	0	0	0	0	0	0	0	0	0	0	0	0	0	0
14:15	0	0	0	0	0	0	0	0	0	0	0	0	0	0	0	0
14:30	0	0	0	0	0	0	0	0	0	0	0	0	0	0	0	0
14:45	0	0	0	0	0	0	0	0	0	0	0	0	0	0	0	0
15:00	0	0	0	0	0	0	0	0	0	0	0	0	0	0	0	0
15:15	0	0	0	0	0	0	0	0	0	0	0	0	0	0	0	0
15:30	0	0	0	0	0	0	0	0	0	0	0	0	0	0	0	0
15:45	0	0	0	0	0	0	0	0	0	0	0	0	0	0	0	0
16:00	0	77	44	0	3	0	17	0	11	12	0	0	0	0	0	0
16:15	0	39	35	0	3	0	27	0	8	16	0	0	0	0	0	0
16:30	0	71	57	0	4	1	38	0	13	17	0	0	0	0	0	0
16:45	0	64	51	0	1	0	31	0	15	28	0	0	0	0	0	0
17:00	0	95	96	0	0	0	15	0	24	22	0	0	0	0	0	0
17:15	0	97	95	0	3	0	18	0	9	18	0	0	0	0	0	0
17:30	0	50	48	0	2	0	16	0	5	23	0	0	0	0	0	0
17:45	0	53	37	0	2	1	30	0	4	11	0	0	0	0	0	0

File Name: 10-7059-004 CALIFORNIA-NEW DAVIS.ppd

Start Date: 2/25/2010

Start Time: 7:00:00 AM

Site Code: 00000000

Comment 1: CITY OF DAVIS

Comment 2:

Comment 3:

Comment 4:

Start Time	CALIFORNIA AVE. Southbound				NEW DAVIS RD. Westbound				Northbound				NEW DAVIS RD. Eastbound			
	Left	Thru	Right	Peds	Left	Thru	Right	Peds	Left	Thru	Right	Peds	Left	Thru	Right	Peds
07:00	5	0	8	0	0	0	5	10	0	0	0	0	51	44	0	0
07:15	27	0	6	0	0	9	5	0	0	0	0	0	46	44	0	0
07:30	8	0	12	0	0	7	13	0	0	0	0	0	52	65	0	0
07:45	12	0	17	0	0	20	21	0	0	0	0	0	96	117	0	0
08:00	14	0	13	0	0	9	25	0	0	0	0	0	67	93	0	0
08:15	16	0	18	0	0	11	22	0	0	0	0	0	41	112	0	0
08:30	25	0	11	0	0	14	28	1	0	0	0	0	62	109	0	0
08:45	27	0	18	0	0	11	18	0	0	0	0	0	74	139	0	0
09:00	0	0	0	0	0	0	0	0	0	0	0	0	0	0	0	0
09:15	0	0	0	0	0	0	0	0	0	0	0	0	0	0	0	0
09:30	0	0	0	0	0	0	0	0	0	0	0	0	0	0	0	0
09:45	0	0	0	0	0	0	0	0	0	0	0	0	0	0	0	0
10:00	0	0	0	0	0	0	0	0	0	0	0	0	0	0	0	0
10:15	0	0	0	0	0	0	0	0	0	0	0	0	0	0	0	0
10:30	0	0	0	0	0	0	0	0	0	0	0	0	0	0	0	0
10:45	0	0	0	0	0	0	0	0	0	0	0	0	0	0	0	0
11:00	0	0	0	0	0	0	0	0	0	0	0	0	0	0	0	0
11:15	0	0	0	0	0	0	0	0	0	0	0	0	0	0	0	0
11:30	0	0	0	0	0	0	0	0	0	0	0	0	0	0	0	0
11:45	0	0	0	0	0	0	0	0	0	0	0	0	0	0	0	0
12:00	0	0	0	0	0	0	0	0	0	0	0	0	0	0	0	0
12:15	0	0	0	0	0	0	0	0	0	0	0	0	0	0	0	0
12:30	0	0	0	0	0	0	0	0	0	0	0	0	0	0	0	0
12:45	0	0	0	0	0	0	0	0	0	0	0	0	0	0	0	0
13:00	0	0	0	0	0	0	0	0	0	0	0	0	0	0	0	0
13:15	0	0	0	0	0	0	0	0	0	0	0	0	0	0	0	0
13:30	0	0	0	0	0	0	0	0	0	0	0	0	0	0	0	0
13:45	0	0	0	0	0	0	0	0	0	0	0	0	0	0	0	0
14:00	0	0	0	0	0	0	0	0	0	0	0	0	0	0	0	0
14:15	0	0	0	0	0	0	0	0	0	0	0	0	0	0	0	0
14:30	0	0	0	0	0	0	0	0	0	0	0	0	0	0	0	0
14:45	0	0	0	0	0	0	0	0	0	0	0	0	0	0	0	0
15:00	0	0	0	0	0	0	0	0	0	0	0	0	0	0	0	0
15:15	0	0	0	0	0	0	0	0	0	0	0	0	0	0	0	0
15:30	0	0	0	0	0	0	0	0	0	0	0	0	0	0	0	0
15:45	0	0	0	0	0	0	0	0	0	0	0	0	0	0	0	0
16:00	34	0	65	0	0	74	41	0	0	0	0	0	31	25	0	0
16:15	29	0	42	0	0	78	30	0	0	0	0	0	32	23	0	0
16:30	23	0	39	0	0	96	42	0	0	0	0	0	32	25	0	0
16:45	36	0	64	0	0	54	22	0	0	0	0	0	33	28	0	0
17:00	33	0	79	0	0	137	24	0	0	0	0	0	28	26	0	0
17:15	37	0	65	0	0	108	37	0	0	0	0	0	23	26	0	0
17:30	28	0	43	0	0	54	18	0	0	0	0	0	21	30	0	0
17:45	21	0	26	0	0	64	30	0	0	0	0	0	26	25	0	0

File Name: 10-7059-003 HILGARD-NEW DAVIS.ppd

Start Date: 2/25/2010

Start Time: 7:00:00 AM

Site Code: 00000000

Comment 1: CITY OF DAVIS

Comment 2:

Comment 3:

Comment 4:

Start Time	Southbound				NEW DAVIS RD. Westbound					HILGARD LANE Northbound					NEW DAVIS RD. Eastbound					
	Left	Thru	Right	Peds	Left	Thru	Right	Peds	Left	Thru	Right	Peds	Left	Thru	Right	Peds				
07:00	0	0	0	0	0	3	12	0	0	0	3	0	0	0	0	0	0	35	13	0
07:15	0	0	0	0	0	2	13	0	0	0	1	0	0	0	0	0	0	46	24	0
07:30	0	0	0	0	0	8	18	0	0	0	3	0	2	0	0	0	0	45	28	0
07:45	0	0	0	0	0	8	34	0	0	0	4	0	1	0	0	0	0	67	62	0
08:00	0	0	0	0	0	9	30	0	0	0	5	0	0	0	0	0	0	67	48	0
08:15	0	0	0	0	0	17	24	0	0	0	7	0	1	0	0	0	0	70	58	0
08:30	0	0	0	0	0	16	38	0	0	0	3	0	5	0	0	0	0	66	65	0
08:45	0	0	0	0	0	20	32	0	0	0	2	0	3	0	0	0	0	80	83	0
09:00	0	0	0	0	0	0	0	0	0	0	0	0	0	0	0	0	0	0	0	0
09:15	0	0	0	0	0	0	0	0	0	0	0	0	0	0	0	0	0	0	0	0
09:30	0	0	0	0	0	0	0	0	0	0	0	0	0	0	0	0	0	0	0	0
09:45	0	0	0	0	0	0	0	0	0	0	0	0	0	0	0	0	0	0	0	0
10:00	0	0	0	0	0	0	0	0	0	0	0	0	0	0	0	0	0	0	0	0
10:15	0	0	0	0	0	0	0	0	0	0	0	0	0	0	0	0	0	0	0	0
10:30	0	0	0	0	0	0	0	0	0	0	0	0	0	0	0	0	0	0	0	0
10:45	0	0	0	0	0	0	0	0	0	0	0	0	0	0	0	0	0	0	0	0
11:00	0	0	0	0	0	0	0	0	0	0	0	0	0	0	0	0	0	0	0	0
11:15	0	0	0	0	0	0	0	0	0	0	0	0	0	0	0	0	0	0	0	0
11:30	0	0	0	0	0	0	0	0	0	0	0	0	0	0	0	0	0	0	0	0
11:45	0	0	0	0	0	0	0	0	0	0	0	0	0	0	0	0	0	0	0	0
12:00	0	0	0	0	0	0	0	0	0	0	0	0	0	0	0	0	0	0	0	0
12:15	0	0	0	0	0	0	0	0	0	0	0	0	0	0	0	0	0	0	0	0
12:30	0	0	0	0	0	0	0	0	0	0	0	0	0	0	0	0	0	0	0	0
12:45	0	0	0	0	0	0	0	0	0	0	0	0	0	0	0	0	0	0	0	0
13:00	0	0	0	0	0	0	0	0	0	0	0	0	0	0	0	0	0	0	0	0
13:15	0	0	0	0	0	0	0	0	0	0	0	0	0	0	0	0	0	0	0	0
13:30	0	0	0	0	0	0	0	0	0	0	0	0	0	0	0	0	0	0	0	0
13:45	0	0	0	0	0	0	0	0	0	0	0	0	0	0	0	0	0	0	0	0
14:00	0	0	0	0	0	0	0	0	0	0	0	0	0	0	0	0	0	0	0	0
14:15	0	0	0	0	0	0	0	0	0	0	0	0	0	0	0	0	0	0	0	0
14:30	0	0	0	0	0	0	0	0	0	0	0	0	0	0	0	0	0	0	0	0
14:45	0	0	0	0	0	0	0	0	0	0	0	0	0	0	0	0	0	0	0	0
15:00	0	0	0	0	0	0	0	0	0	0	0	0	0	0	0	0	0	0	0	0
15:15	0	0	0	0	0	0	0	0	0	0	0	0	0	0	0	0	0	0	0	0
15:30	0	0	0	0	0	0	0	0	0	0	0	0	0	0	0	0	0	0	0	0
15:45	0	0	0	0	0	0	0	0	0	0	0	0	0	0	0	0	0	0	0	0
16:00	0	0	0	0	0	4	62	0	0	0	53	0	19	0	0	0	0	41	12	0
16:15	0	0	0	0	0	3	75	0	0	0	37	0	16	0	0	0	0	46	15	0
16:30	0	0	0	0	0	1	79	0	0	0	51	0	4	0	0	0	0	40	11	0
16:45	0	0	0	0	0	3	51	0	0	0	27	0	9	0	0	0	0	51	10	0
17:00	0	0	0	0	0	5	84	0	0	0	80	0	27	0	0	0	0	54	2	0
17:15	0	0	0	0	0	4	73	0	0	0	66	0	14	0	0	0	0	59	4	0
17:30	0	0	0	0	0	0	40	0	0	0	37	0	15	0	0	0	0	53	5	0
17:45	0	0	0	0	0	3	50	0	0	0	44	0	13	0	0	0	0	42	4	0

File Name: C:\Users\SAC-1\Desktop\NDS\ITMs\11-7010 Davis\11-7010-003 OLD DAVIS-MRAK HALL.ppd

Start Date: 1/11/2011

Start Time: 7:00:00 AM

Site Code: 00000000

Comment 1: CITY OF DAVIS

Comment 2: BIKES ON BANK 1

Comment 3:

Comment 4:

Start Time	MARK HALL DR. Southbound				OLD DAVIS RD. Westbound				Northbound				OLD DAVIS RD. Eastbound			
	Left	Thru	Right	Peds	Left	Thru	Right	Peds	Left	Thru	Right	Peds	Left	Thru	Right	Peds
07:00	0	0	13	0	0	2	1	0	0	0	0	0	13	13	0	11
07:15	4	0	14	0	0	3	1	0	0	0	0	0	25	4	0	10
07:30	4	0	16	0	0	3	1	1	0	0	0	0	31	9	0	16
07:45	6	0	27	2	0	1	2	2	0	0	0	0	64	10	0	36
08:00	5	0	41	2	0	0	0	2	0	0	0	0	46	17	0	37
08:15	9	0	41	1	0	2	2	5	0	0	0	0	47	14	0	78
08:30	18	0	50	1	0	3	0	3	0	0	0	0	52	19	0	70
08:45	7	0	53	4	0	4	0	5	0	0	0	0	62	21	0	60
09:00	0	0	0	0	0	0	0	0	0	0	0	0	0	0	0	0
09:15	0	0	0	0	0	0	0	0	0	0	0	0	0	0	0	0
09:30	0	0	0	0	0	0	0	0	0	0	0	0	0	0	0	0
09:45	0	0	0	0	0	0	0	0	0	0	0	0	0	0	0	0
10:00	0	0	0	0	0	0	0	0	0	0	0	0	0	0	0	0
10:15	0	0	0	0	0	0	0	0	0	0	0	0	0	0	0	0
10:30	0	0	0	0	0	0	0	0	0	0	0	0	0	0	0	0
10:45	0	0	0	0	0	0	0	0	0	0	0	0	0	0	0	0
11:00	0	0	0	0	0	0	0	0	0	0	0	0	0	0	0	0
11:15	0	0	0	0	0	0	0	0	0	0	0	0	0	0	0	0
11:30	0	0	0	0	0	0	0	0	0	0	0	0	0	0	0	0
11:45	0	0	0	0	0	0	0	0	0	0	0	0	0	0	0	0
12:00	0	0	0	0	0	0	0	0	0	0	0	0	0	0	0	0
12:15	0	0	0	0	0	0	0	0	0	0	0	0	0	0	0	0
12:30	0	0	0	0	0	0	0	0	0	0	0	0	0	0	0	0
12:45	0	0	0	0	0	0	0	0	0	0	0	0	0	0	0	0
13:00	0	0	0	0	0	0	0	0	0	0	0	0	0	0	0	0
13:15	0	0	0	0	0	0	0	0	0	0	0	0	0	0	0	0
13:30	0	0	0	0	0	0	0	0	0	0	0	0	0	0	0	0
13:45	0	0	0	0	0	0	0	0	0	0	0	0	0	0	0	0
14:00	0	0	0	0	0	0	0	0	0	0	0	0	0	0	0	0
14:15	0	0	0	0	0	0	0	0	0	0	0	0	0	0	0	0
14:30	0	0	0	0	0	0	0	0	0	0	0	0	0	0	0	0
14:45	0	0	0	0	0	0	0	0	0	0	0	0	0	0	0	0
15:00	0	0	0	0	0	0	0	0	0	0	0	0	0	0	0	0
15:15	0	0	0	0	0	0	0	0	0	0	0	0	0	0	0	0
15:30	0	0	0	0	0	0	0	0	0	0	0	0	0	0	0	0
15:45	0	0	0	0	0	0	0	0	0	0	0	0	0	0	0	0
16:00	2	0	44	1	0	9	3	0	0	0	0	0	23	6	0	17
16:15	5	0	30	2	0	4	5	5	0	0	0	0	29	12	0	12
16:30	2	0	56	0	0	14	6	1	0	0	0	0	43	9	0	27
16:45	3	0	54	1	0	3	6	4	0	0	0	0	55	3	0	62
17:00	4	0	78	1	0	18	1	4	0	0	0	0	45	11	0	78
17:15	5	0	47	5	0	18	5	3	0	0	0	0	61	8	0	52
17:30	1	0	26	0	0	7	5	3	0	0	0	0	47	7	0	20
17:45	2	0	23	1	0	9	7	2	0	0	0	0	42	6	0	28

File Name: C:\Users\SAC-1\Desktop\NDS\ITMs\11-7010 Davis\11-7010-004 1ST-A.ppd

Start Date: 1/11/2011

Start Time: 7:00:00 AM

Site Code: 00000000

Comment 1: CITY OF DAVIS

Comment 2: BIKES ON BANK 1

Comment 3:

Comment 4:

Start Time	A ST. Southbound				1st ST. Westbound				A ST. Northbound				1st ST. Eastbound				
	Left	Thru	Right	Peds	Left	Thru	Right	Peds	Left	Thru	Right	Peds	Left	Thru	Right	Peds	
07:00	0	0	0	0	1	15	1	6	0	0	0	11	7	0	2	0	1
07:15	0	0	0	6	39	2	4	0	2	3	12	16	0	2	0	3	
07:30	0	0	0	5	48	1	9	0	0	7	17	18	0	0	1	7	
07:45	0	0	0	3	76	0	14	0	2	9	16	24	0	0	1	14	
08:00	0	0	0	5	69	3	12	0	0	10	14	24	1	1	1	7	
08:15	0	0	0	8	81	4	7	0	0	12	22	40	0	0	0	3	
08:30	0	0	0	11	118	6	21	0	1	6	28	27	1	0	0	4	
08:45	0	0	0	19	125	2	21	0	0	25	34	41	1	0	1	28	
09:00	0	0	0	0	0	0	0	0	0	0	0	0	0	0	0	0	
09:15	0	0	0	0	0	0	0	0	0	0	0	0	0	0	0	0	
09:30	0	0	0	0	0	0	0	0	0	0	0	0	0	0	0	0	
09:45	0	0	0	0	0	0	0	0	0	0	0	0	0	0	0	0	
10:00	0	0	0	0	0	0	0	0	0	0	0	0	0	0	0	0	
10:15	0	0	0	0	0	0	0	0	0	0	0	0	0	0	0	0	
10:30	0	0	0	0	0	0	0	0	0	0	0	0	0	0	0	0	
10:45	0	0	0	0	0	0	0	0	0	0	0	0	0	0	0	0	
11:00	0	0	0	0	0	0	0	0	0	0	0	0	0	0	0	0	
11:15	0	0	0	0	0	0	0	0	0	0	0	0	0	0	0	0	
11:30	0	0	0	0	0	0	0	0	0	0	0	0	0	0	0	0	
11:45	0	0	0	0	0	0	0	0	0	0	0	0	0	0	0	0	
12:00	0	0	0	0	0	0	0	0	0	0	0	0	0	0	0	0	
12:15	0	0	0	0	0	0	0	0	0	0	0	0	0	0	0	0	
12:30	0	0	0	0	0	0	0	0	0	0	0	0	0	0	0	0	
12:45	0	0	0	0	0	0	0	0	0	0	0	0	0	0	0	0	
13:00	0	0	0	0	0	0	0	0	0	0	0	0	0	0	0	0	
13:15	0	0	0	0	0	0	0	0	0	0	0	0	0	0	0	0	
13:30	0	0	0	0	0	0	0	0	0	0	0	0	0	0	0	0	
13:45	0	0	0	0	0	0	0	0	0	0	0	0	0	0	0	0	
14:00	0	0	0	0	0	0	0	0	0	0	0	0	0	0	0	0	
14:15	0	0	0	0	0	0	0	0	0	0	0	0	0	0	0	0	
14:30	0	0	0	0	0	0	0	0	0	0	0	0	0	0	0	0	
14:45	0	0	0	0	0	0	0	0	0	0	0	0	0	0	0	0	
15:00	0	0	0	0	0	0	0	0	0	0	0	0	0	0	0	0	
15:15	0	0	0	0	0	0	0	0	0	0	0	0	0	0	0	0	
15:30	0	0	0	0	0	0	0	0	0	0	0	0	0	0	0	0	
15:45	0	0	0	0	0	0	0	0	0	0	0	0	0	0	0	0	
16:00	0	0	0	35	57	0	17	0	2	20	55	26	0	2	1	24	
16:15	0	0	0	13	49	1	25	0	1	13	61	28	0	1	0	21	
16:30	0	0	0	17	52	0	17	0	0	18	85	35	1	3	0	18	
16:45	0	0	0	13	58	0	21	0	0	20	75	34	0	0	1	38	
17:00	0	0	0	8	44	0	19	0	0	12	94	50	0	0	0	24	
17:15	0	0	0	10	41	1	11	0	0	13	91	22	1	0	0	14	
17:30	0	0	0	6	21	2	14	0	2	16	71	18	0	0	0	8	
17:45	0	0	0	13	56	2	28	0	0	12	68	40	0	2	0	20	

All Traffic Data

(916) 771-8700

CITY OF DAVIS
BIKES ON BANK 1

File Name : 11-7176-001 B-1st
Site Code : 00000000
Start Date : 4/26/2011
Page No : 1

Groups Printed- Unshifted

Start Time	B ST. Southbound					1st ST. Westbound					B ST. Northbound					1st ST. Eastbound					Exclu. Total	Inclu. Total	Int. Total
	Left	Thru	Rig	Ped	App. Total	Left	Thru	Right	Peds	App. Total	Left	Thru	Right	Peds	App. Total	Left	Thru	Right	Peds	App. Total			
07:00	18	0	8	0	26	0	24	22	5	46	0	0	0	0	0	2	6	0	1	8	6	80	86
07:15	16	0	14	3	30	0	32	43	0	75	0	0	0	0	0	4	13	0	3	17	6	122	128
07:30	42	0	17	2	59	0	49	74	4	123	0	0	0	0	0	6	12	0	4	18	10	200	210
07:45	53	0	52	2	105	0	67	70	7	137	0	0	0	0	0	8	17	0	1	25	10	267	277
Total	129	0	91	7	220	0	172	209	16	381	0	0	0	0	0	20	48	0	9	68	32	669	701
08:00	59	0	33	2	92	0	50	62	9	112	0	0	0	0	0	17	17	0	2	34	13	238	251
08:15	52	0	42	4	94	0	58	55	9	113	0	0	0	0	0	7	26	0	0	33	13	240	253
08:30	52	0	71	3	123	0	76	81	12	157	0	0	0	0	0	9	15	0	0	24	15	304	319
08:45	38	0	50	2	88	0	100	52	24	152	0	0	0	0	0	17	32	0	5	49	31	289	320
Total	201	0	196	11	397	0	284	250	54	534	0	0	0	0	0	50	90	0	7	140	72	1071	1143
16:00	83	0	39	2	122	0	31	46	8	77	0	0	0	0	0	31	67	0	20	98	30	297	327
16:15	77	0	27	2	104	0	36	54	13	90	0	0	0	0	0	24	56	0	10	80	25	274	299
16:30	91	0	35	5	126	0	26	59	6	85	0	0	0	0	0	21	63	0	30	84	41	295	336
16:45	65	0	22	6	87	0	62	59	1	121	0	0	0	0	0	34	49	0	26	83	33	291	324
Total	316	0	123	15	439	0	155	218	28	373	0	0	0	0	0	110	235	0	86	345	129	1157	1286
17:00	89	0	24	5	113	0	47	38	8	85	0	0	0	0	0	51	57	0	14	108	27	306	333
17:15	80	0	26	3	106	0	38	72	8	110	0	0	0	0	0	50	68	0	16	118	27	334	361
17:30	75	0	23	1	98	0	38	67	10	105	0	0	0	0	0	33	45	0	23	78	34	281	315
17:45	71	0	36	3	107	0	42	70	18	112	0	0	0	0	0	37	56	0	27	93	48	312	360
Total	315	0	109	12	424	0	165	247	44	412	0	0	0	0	0	171	226	0	80	397	136	1233	1369
Grand Total	961	0	519	45	1480	0	776	924	142	1700	0	0	0	0	0	351	599	0	182	950	369	4130	4499
Apprch %	64.9	0	35.1			0	45.6	54.4			0	0	0			36.9	63.1	0					
Total %	23.3	0	12.6		35.8	0	18.8	22.4		41.2	0	0	0			8.5	14.5	0		23	8.2	91.8	

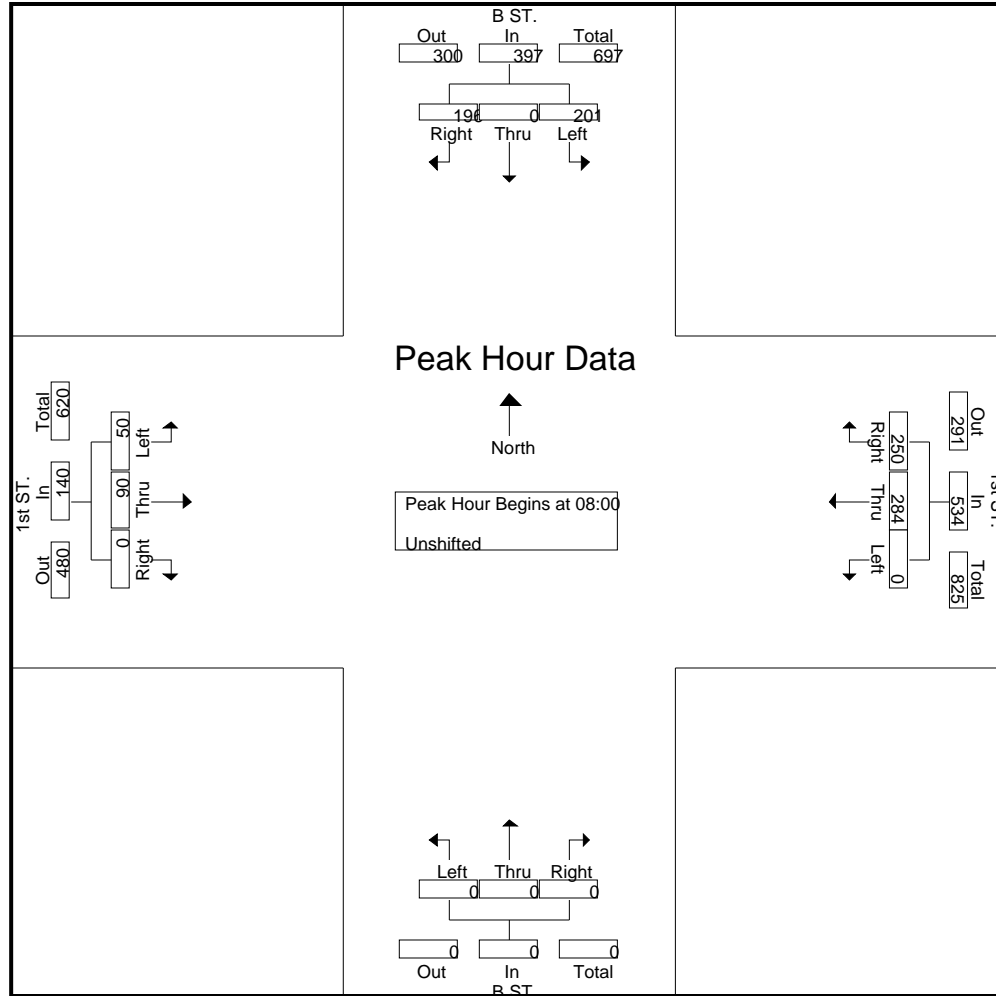
Start Time	B ST. Southbound				1st ST. Westbound				B ST. Northbound				1st ST. Eastbound				Int. Total
	Left	Thru	Right	App. Total	Left	Thru	Right	App. Total	Left	Thru	Right	App. Total	Left	Thru	Right	App. Total	

Peak Hour Analysis From 07:00 to 08:45 - Peak 1 of 1

Peak Hour for Entire Intersection Begins at 08:00

08:00	59	0	33	92	0	50	62	112	0	0	0	0	17	17	0	34	238
08:15	52	0	42	94	0	58	55	113	0	0	0	0	7	26	0	33	240
08:30	52	0	71	123	0	76	81	157	0	0	0	0	9	15	0	24	304
08:45	38	0	50	88	0	100	52	152	0	0	0	0	17	32	0	49	289
Total Volume	201	0	196	397	0	284	250	534	0	0	0	0	50	90	0	140	1071

% App. Total	50.6	0	49.4		0	53.2	46.8		0	0	0		35.7	64.3	0		
PHF	.852	.000	.690	.807	.000	.710	.772	.850	.000	.000	.000	.000	.735	.703	.000	.714	.881



Peak Hour Analysis From 16:00 to 17:45 - Peak 1 of 1
Peak Hour for Entire Intersection Begins at 17:00

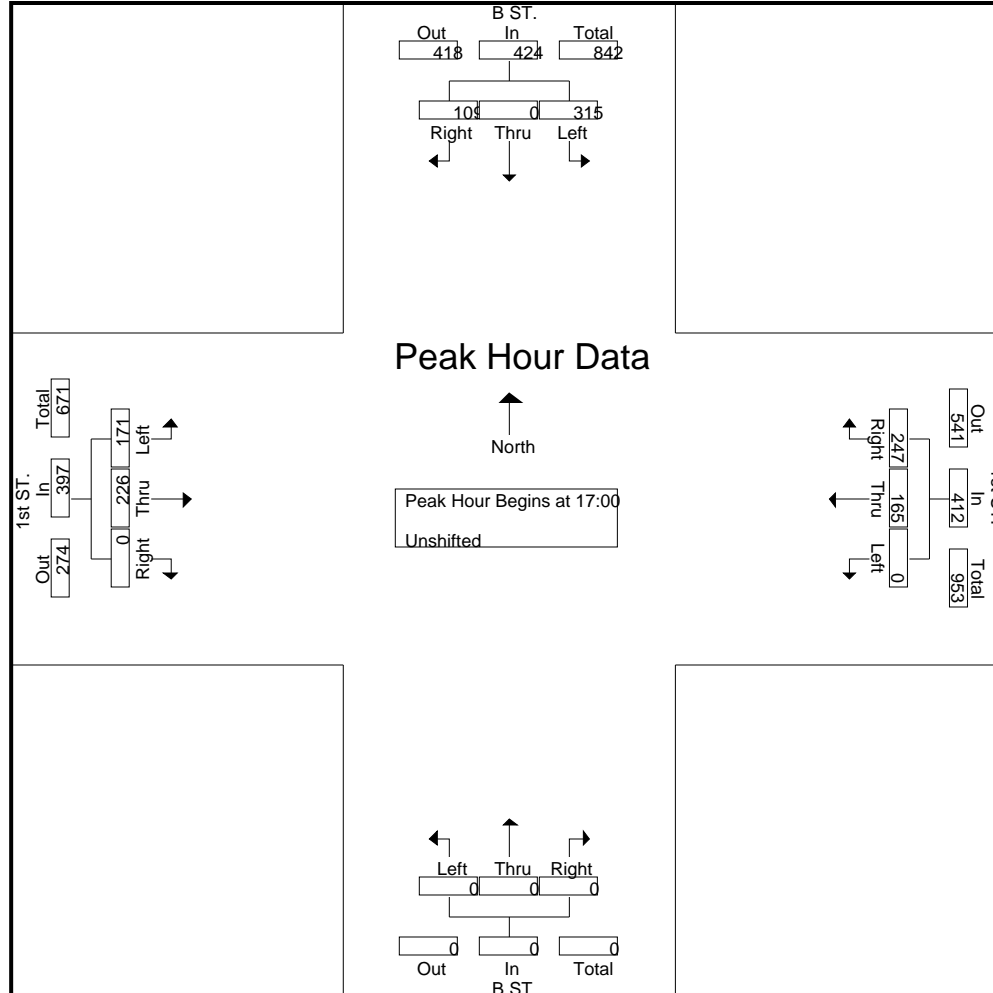
17:00	89	0	24	113	0	47	38	85	0	0	0	0	51	57	0	108	306
17:15	80	0	26	106	0	38	72	110	0	0	0	0	50	68	0	118	334
17:30	75	0	23	98	0	38	67	105	0	0	0	0	33	45	0	78	281
17:45	71	0	36	107	0	42	70	112	0	0	0	0	37	56	0	93	312
Total Volume	315	0	109	424	0	165	247	412	0	0	0	0	171	226	0	397	1233
% App. Total	74.3	0	25.7		0	40	60		0	0	0		43.1	56.9	0		
PHF	.885	.000	.757	.938	.000	.878	.858	.920	.000	.000	.000	.000	.838	.831	.000	.841	.923

All Traffic Data

(916) 771-8700

CITY OF DAVIS
BIKES ON BANK 1

File Name : 11-7176-001 B-1st
Site Code : 00000000
Start Date : 4/26/2011
Page No : 3



All Traffic Data

(916) 771-8700

CITY OF DAVIS
BIKES ON BANK 1

File Name : 11-7176-002 RICHARDS-1st
Site Code : 00000000
Start Date : 4/26/2011
Page No : 1

Groups Printed- Unshifted

Start Time	RICHARDS BLVD. Southbound					1st ST. Westbound					RICHARDS BLVD. Northbound					1st ST. Eastbound					Exclu. Total	Inclu. Total	Int. Total
	Left	Thru	Rig	Ped	App. Total	Left	Thru	Right	Peds	App. Total	Left	Thru	Right	Peds	App. Total	Left	Thru	Right	Peds	App. Total			
07:00	1	13	2	0	16	17	0	0	0	17	49	10	30	0	89	0	1	25	1	26	1	148	149
07:15	0	23	3	0	26	25	2	1	0	28	79	9	22	0	110	0	1	38	2	39	2	203	205
07:30	0	10	3	0	13	19	1	0	0	20	125	20	44	0	189	1	3	66	1	70	1	292	293
07:45	1	16	2	2	19	26	4	0	0	30	152	20	48	0	220	2	3	72	4	77	6	346	352
Total	2	62	10	2	74	87	7	1	0	95	405	59	144	0	608	3	8	201	8	212	10	989	999
08:00	0	21	1	2	22	23	5	0	0	28	123	12	41	0	176	0	2	80	3	82	5	308	313
08:15	0	16	2	2	18	29	2	1	0	32	112	28	44	0	184	0	4	74	3	78	5	312	317
08:30	1	15	1	1	17	35	5	0	0	40	160	25	49	0	234	0	1	81	6	82	7	373	380
08:45	2	23	3	5	28	30	9	0	0	39	152	19	62	0	233	2	3	61	5	66	10	366	376
Total	3	75	7	10	85	117	21	1	0	139	547	84	196	0	827	2	10	296	17	308	27	1359	1386
16:00	2	45	11	16	58	38	7	5	0	50	88	43	64	0	195	3	15	143	31	161	47	464	511
16:15	2	32	10	7	44	41	5	1	0	47	85	24	58	0	167	4	8	132	18	144	25	402	427
16:30	0	44	7	8	51	33	7	1	0	41	90	43	56	0	189	3	15	164	14	182	22	463	485
16:45	0	46	4	18	50	48	8	2	0	58	104	34	82	0	220	4	9	113	31	126	49	454	503
Total	4	167	32	49	203	160	27	9	0	196	367	144	260	0	771	14	47	552	94	613	143	1783	1926
17:00	2	40	8	13	50	52	8	3	0	63	96	26	55	0	177	5	9	146	22	160	35	450	485
17:15	0	38	4	10	42	61	5	2	0	68	97	31	72	0	200	4	8	149	24	161	34	471	505
17:30	0	45	8	20	53	43	8	3	0	54	105	41	68	0	214	4	12	129	32	145	52	466	518
17:45	0	37	2	15	39	55	8	2	0	65	113	33	84	0	230	10	13	121	31	144	46	478	524
Total	2	160	22	58	184	211	29	10	0	250	411	131	279	0	821	23	42	545	109	610	167	1865	2032
Grand Total	11	464	71	119	546	575	84	21	0	680	1730	418	879	0	3027	42	107	1594	228	1743	347	5996	6343
Apprch %	2	85	13			84.6	12.4	3.1			57.2	13.8	29			2.4	6.1	91.5					
Total %	0.2	7.7	1.2		9.1	9.6	1.4	0.4		11.3	28.9	7	14.7		50.5	0.7	1.8	26.6		29.1	5.5	94.5	

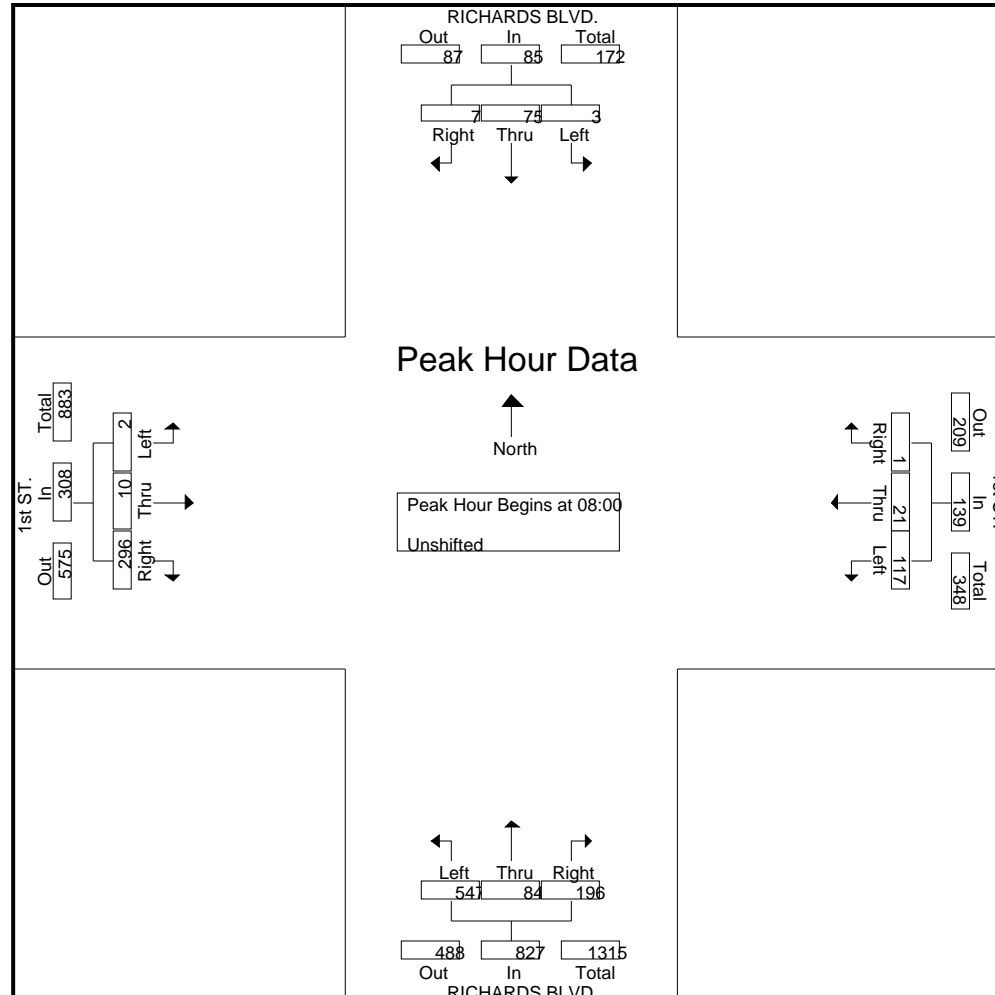
Start Time	RICHARDS BLVD. Southbound				1st ST. Westbound				RICHARDS BLVD. Northbound				1st ST. Eastbound				Int. Total
	Left	Thru	Right	App. Total	Left	Thru	Right	App. Total	Left	Thru	Right	App. Total	Left	Thru	Right	App. Total	

Peak Hour Analysis From 07:00 to 08:45 - Peak 1 of 1

Peak Hour for Entire Intersection Begins at 08:00

08:00	0	21	1	22	23	5	0	28	123	12	41	176	0	2	80	82	308
08:15	0	16	2	18	29	2	1	32	112	28	44	184	0	4	74	78	312
08:30	1	15	1	17	35	5	0	40	160	25	49	234	0	1	81	82	373
08:45	2	23	3	28	30	9	0	39	152	19	62	233	2	3	61	66	366
Total Volume	3	75	7	85	117	21	1	139	547	84	196	827	2	10	296	308	1359

% App. Total	3.5	88.2	8.2		84.2	15.1	0.7		66.1	10.2	23.7		0.6	3.2	96.1		
PHF	.375	.815	.583	.759	.836	.583	.250	.869	.855	.750	.790	.884	.250	.625	.914	.939	.911



Peak Hour Analysis From 16:00 to 17:45 - Peak 1 of 1
Peak Hour for Entire Intersection Begins at 17:00

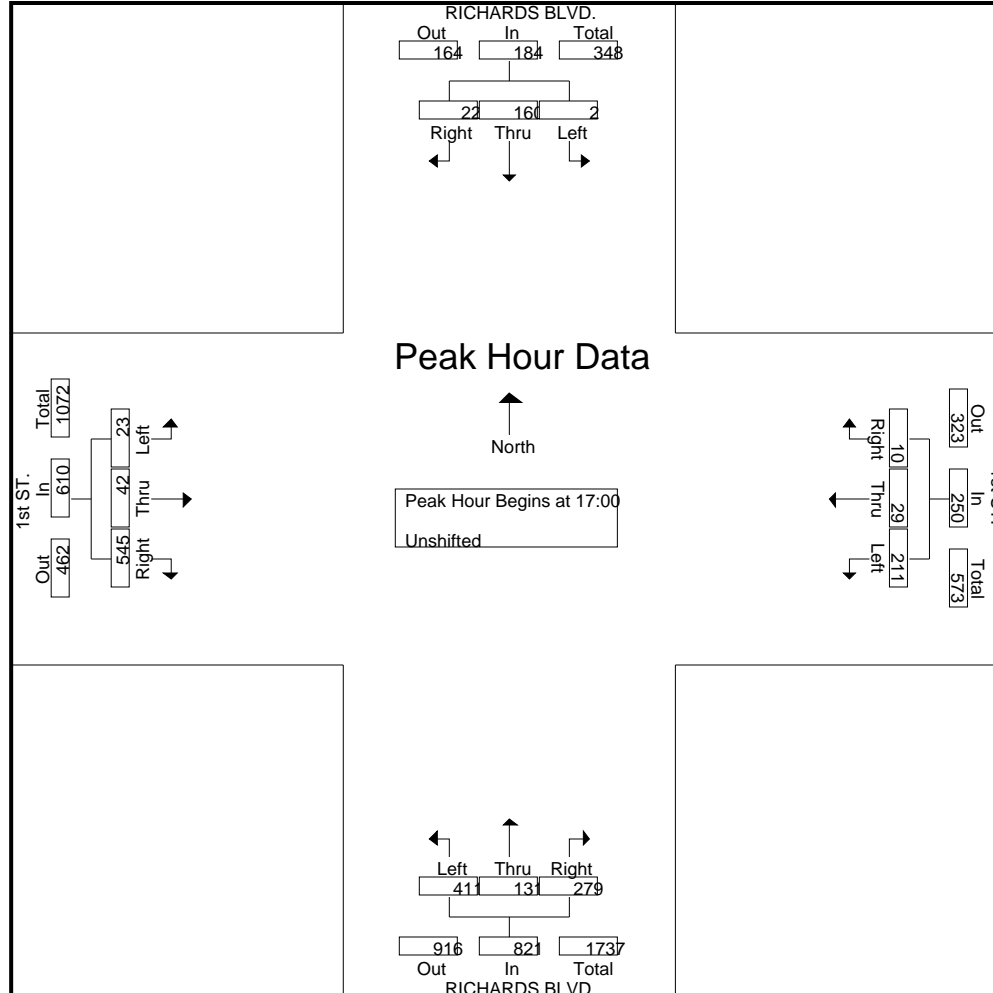
17:00	2	40	8	50	52	8	3	63	96	26	55	177	5	9	146	160	450
17:15	0	38	4	42	61	5	2	68	97	31	72	200	4	8	149	161	471
17:30	0	45	8	53	43	8	3	54	105	41	68	214	4	12	129	145	466
17:45	0	37	2	39	55	8	2	65	113	33	84	230	10	13	121	144	478
Total Volume	2	160	22	184	211	29	10	250	411	131	279	821	23	42	545	610	1865
% App. Total	1.1	87	12		84.4	11.6	4		50.1	16	34		3.8	6.9	89.3		
PHF	.250	.889	.688	.868	.865	.906	.833	.919	.909	.799	.830	.892	.575	.808	.914	.947	.975

All Traffic Data

(916) 771-8700

CITY OF DAVIS
BIKES ON BANK 1

File Name : 11-7176-002 RICHARDS-1st
Site Code : 00000000
Start Date : 4/26/2011
Page No : 3



All Traffic Data

(916) 771-8700

CITY OF DAVIS
BIKES ON BANK 1

File Name : 11-7176-003 OLIVE-RICHARDS
Site Code : 00000000
Start Date : 4/26/2011
Page No : 1

Groups Printed- Unshifted

Start Time	OLIVE DR. Southbound					RICHARDS BLVD. Westbound					OLIVE DR. Northbound					RICHARDS BLVD. Eastbound					Exclu. Total	Inclu. Total	Int. Total
	Left	Thru	Rig	Ped	App. Total	Left	Thru	Right	Peds	App. Total	Left	Thru	Right	Peds	App. Total	Left	Thru	Right	Peds	App. Total			
07:00	9	1	14	0	24	2	75	5	1	82	3	0	1	0	4	1	58	0	3	59	4	169	173
07:15	14	2	22	1	38	6	102	8	1	116	5	0	3	1	8	1	79	3	4	83	7	245	252
07:30	18	3	33	0	54	5	135	11	2	151	1	0	3	3	4	4	85	7	0	96	5	305	310
07:45	20	4	23	2	47	7	206	8	2	221	4	0	7	0	11	2	107	5	2	114	6	393	399
Total	61	10	92	3	163	20	518	32	6	570	13	0	14	4	27	8	329	15	9	352	22	1112	1134
08:00	11	3	22	1	36	3	143	3	13	149	2	1	7	3	10	5	114	5	4	124	21	319	340
08:15	21	6	28	0	55	9	171	5	4	185	2	1	7	1	10	3	106	10	3	119	8	369	377
08:30	15	1	41	0	57	7	171	7	6	185	5	0	4	3	9	5	123	3	3	131	12	382	394
08:45	29	2	58	1	89	7	171	15	4	193	3	1	5	4	9	11	97	4	8	112	17	403	420
Total	76	12	149	2	237	26	656	30	27	712	12	3	23	11	38	24	440	22	18	486	58	1473	1531
16:00	23	7	36	0	66	9	136	11	8	156	10	2	11	4	23	14	199	15	5	228	17	473	490
16:15	36	5	38	2	79	8	123	11	6	142	7	1	6	4	14	17	185	12	8	214	20	449	469
16:30	21	3	38	2	62	6	144	15	7	165	10	1	13	8	24	15	212	4	2	231	19	482	501
16:45	32	1	47	0	80	2	163	13	10	178	6	1	17	7	24	22	180	6	3	208	20	490	510
Total	112	16	159	4	287	25	566	50	31	641	33	5	47	23	85	68	776	37	18	881	76	1894	1970
17:00	21	2	39	0	62	11	150	10	6	171	4	0	8	7	12	12	218	8	4	238	17	483	500
17:15	29	1	42	1	72	4	158	10	3	172	9	1	17	2	27	23	210	10	4	243	10	514	524
17:30	24	5	33	0	62	3	173	11	9	187	2	0	10	7	12	13	205	1	5	219	21	480	501
17:45	26	2	51	2	79	4	173	15	7	192	4	0	8	5	12	11	196	4	5	211	19	494	513
Total	100	10	165	3	275	22	654	46	25	722	19	1	43	21	63	59	829	23	18	911	67	1971	2038
Grand Total	349	48	565	12	962	93	2394	158	89	2645	77	9	127	59	213	159	2374	97	63	2630	223	6450	6673
Apprch %	36.3	5	58.7			3.5	90.5	6			36.2	4.2	59.6			6	90.3	3.7					
Total %	5.4	0.7	8.8		14.9	1.4	37.1	2.4		41	1.2	0.1	2		3.3	2.5	36.8	1.5		40.8	3.3	96.7	

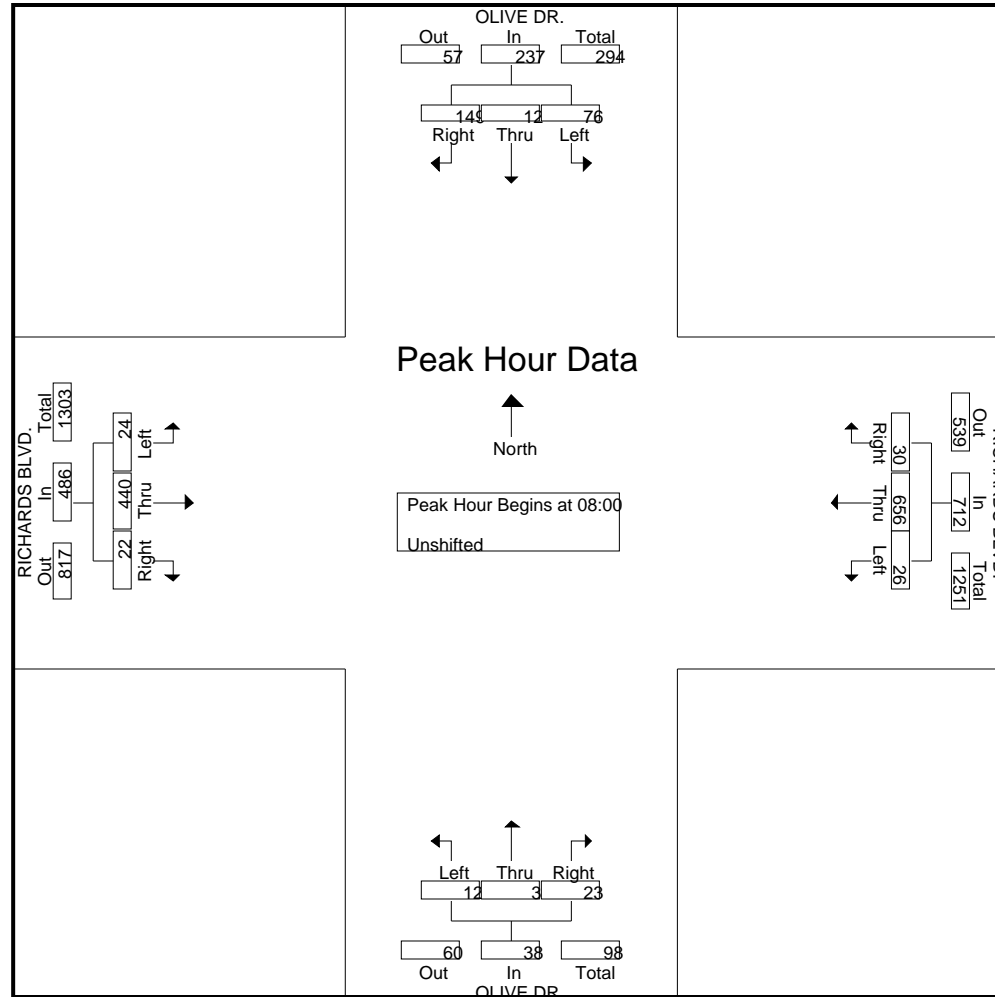
Start Time	OLIVE DR. Southbound				RICHARDS BLVD. Westbound				OLIVE DR. Northbound				RICHARDS BLVD. Eastbound				Int. Total
	Left	Thru	Right	App. Total	Left	Thru	Right	App. Total	Left	Thru	Right	App. Total	Left	Thru	Right	App. Total	

Peak Hour Analysis From 07:00 to 08:45 - Peak 1 of 1

Peak Hour for Entire Intersection Begins at 08:00

08:00	11	3	22	36	3	143	3	149	2	1	7	10	5	114	5	124	319
08:15	21	6	28	55	9	171	5	185	2	1	7	10	3	106	10	119	369
08:30	15	1	41	57	7	171	7	185	5	0	4	9	5	123	3	131	382
08:45	29	2	58	89	7	171	15	193	3	1	5	9	11	97	4	112	403
Total Volume	76	12	149	237	26	656	30	712	12	3	23	38	24	440	22	486	1473

% App. Total	32.1	5.1	62.9		3.7	92.1	4.2		31.6	7.9	60.5		4.9	90.5	4.5		
PHF	.655	.500	.642	.666	.722	.959	.500	.922	.600	.750	.821	.950	.545	.894	.550	.927	.914



Peak Hour Analysis From 16:00 to 17:45 - Peak 1 of 1

Peak Hour for Entire Intersection Begins at 17:00

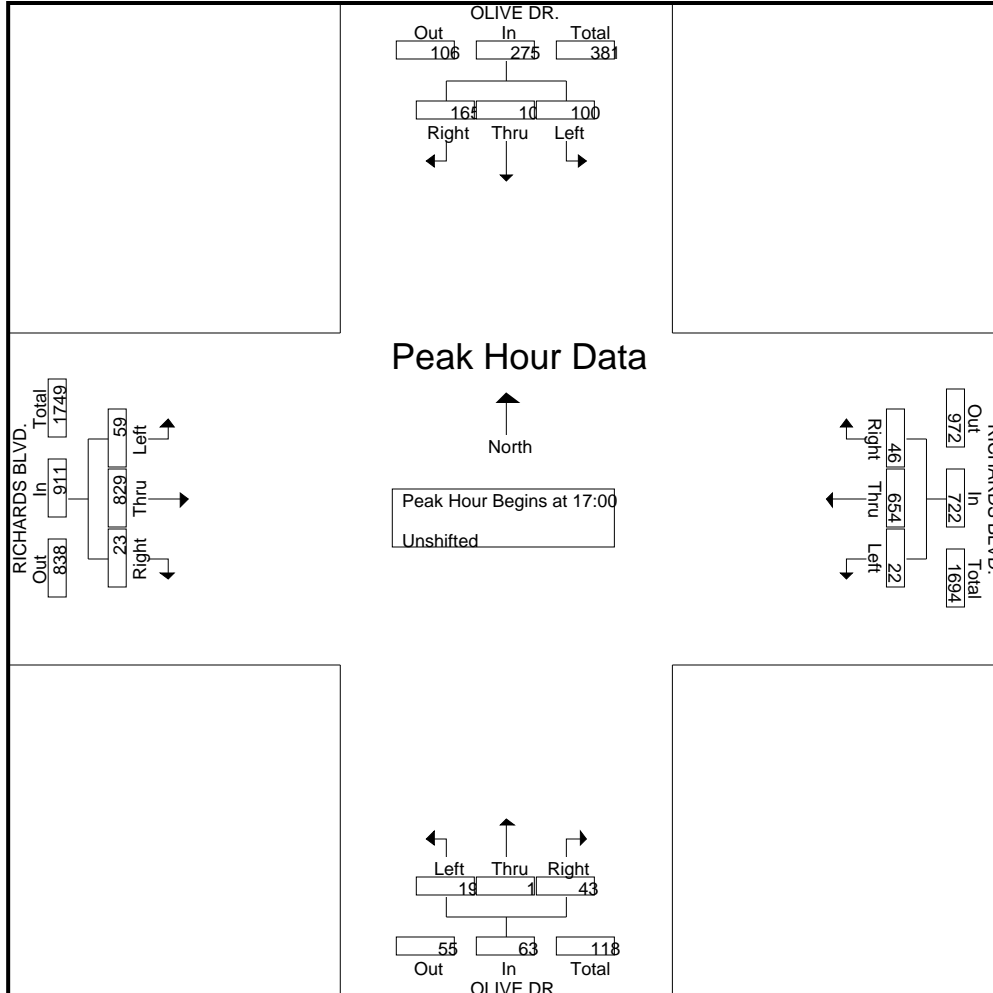
17:00	21	2	39	62	11	150	10	171	4	0	8	12	12	218	8	238	483
17:15	29	1	42	72	4	158	10	172	9	1	17	27	23	210	10	243	514
17:30	24	5	33	62	3	173	11	187	2	0	10	12	13	205	1	219	480
17:45	26	2	51	79	4	173	15	192	4	0	8	12	11	196	4	211	494
Total Volume	100	10	165	275	22	654	46	722	19	1	43	63	59	829	23	911	1971
% App. Total	36.4	3.6	60		3	90.6	6.4		30.2	1.6	68.3		6.5	91	2.5		
PHF	.862	.500	.809	.870	.500	.945	.767	.940	.528	.250	.632	.583	.641	.951	.575	.937	.959

All Traffic Data

(916) 771-8700

CITY OF DAVIS
BIKES ON BANK 1

File Name : 11-7176-003 OLIVE-RICHARDS
Site Code : 00000000
Start Date : 4/26/2011
Page No : 3



Volumes for: Tuesday, January 11, 2011

City: Davis

Project #: 11-7011-005

Location: Old Davis Road north of I-80 westbound ramps

Start Time	Northbound		Hour Totals		Southbound		Hour Totals		Combined Totals	
	Morning	Afternoon	Morning	Afternoon	Morning	Afternoon	Morning	Afternoon	Morning	Afternoon
12:00	0	56			4	110				
12:15	0	50			4	47				
12:30	1	51			7	39				
12:45	2	77	3	234	2	42	17	238	20	472
1:00	0	64			5	50				
1:15	0	73			22	51				
1:30	1	67			3	66				
1:45	1	61	2	265	2	67	32	234	34	499
2:00	0	42			0	63				
2:15	1	44			0	49				
2:30	0	44			1	68				
2:45	0	52	1	182	1	48	2	228	3	410
3:00	2	49			2	72				
3:15	2	29			0	85				
3:30	0	42			0	131				
3:45	1	53	5	173	1	61	3	349	8	522
4:00	3	31			1	121				
4:15	2	44			2	77				
4:30	7	52			0	130				
4:45	5	60	17	187	2	110	5	438	22	625
5:00	4	34			1	206				
5:15	5	42			0	178				
5:30	15	38			1	92				
5:45	21	39	45	153	2	94	4	570	49	723
6:00	25	38			5	126				
6:15	30	18			9	81				
6:30	52	16			8	44				
6:45	87	21	194	93	8	48	30	299	224	392
7:00	67	14			8	60				
7:15	90	17			8	53				
7:30	113	12			23	41				
7:45	199	15	469	58	19	22	58	176	527	234
8:00	177	12			20	26				
8:15	168	7			27	22				
8:30	218	11			28	19				
8:45	230	16	793	46	34	21	109	88	902	134
9:00	96	12			25	17				
9:15	103	5			31	18				
9:30	113	17			19	13	0			
9:45	100	11	412	45	33	25	108	73	520	118
10:00	91	13			34	16				
10:15	71	3			41	8				
10:30	48	4			39	15				
10:45	54	7	264	27	31	10	145	49	409	76
11:00	38	7			27	6				
11:15	43	0			27	5				
11:30	82	0			40	4				
11:45	71	3	234	10	51	5	145	20	379	30
Total	2439	1473	2439	1473	658	2762	658	2762	3097	4235
Combined Total	3912		3912		3420		3420		7332	
AM Peak	8:00 AM				11:30 AM					
Vol.	793				248					
P.H.F.	0.862				0.564					
PM Peak	12:45 PM				4:30 PM					
Vol.	281				624					
P.H.F.	0.932				0.757					
Percentage	62.3%	37.7%			19.2%	80.8%				

Volumes for: Tuesday, January 11, 2011

City: Davis

Project #: 11-7011-006

Location: Old Davis Road east of Alumni Lane

Start Time	Eastbound		Hour Totals		Westbound		Hour Totals		Combined Totals	
	Morning	Afternoon	Morning	Afternoon	Morning	Afternoon	Morning	Afternoon	Morning	Afternoon
12:00	0	1			0	1				
12:15	1	2			2	2				
12:30	0	2			0	1				
12:45	0	3	1	8	0	5	2	9	3	17
1:00	1	8			1	5				
1:15	1	4			1	2				
1:30	0	5			0	4				
1:45	0	2	2	19	0	1	2	12	4	31
2:00	2	3			0	4				
2:15	0	0			2	0				
2:30	0	3			0	3				
2:45	0	6	2	12	0	4	2	11	4	23
3:00	0	5			0	2				
3:15	1	4			1	4				
3:30	0	2			2	2				
3:45	1	1	2	12	0	3	3	11	5	23
4:00	0	4			0	6				
4:15	1	3			2	3				
4:30	1	5			1	4				
4:45	1	5	3	17	1	9	4	22	7	39
5:00	0	2			1	2				
5:15	2	7			0	6				
5:30	0	9			1	6				
5:45	0	2	2	20	0	3	2	17	4	37
6:00	1	4			3	5				
6:15	0	3			0	10				
6:30	3	3			5	2				
6:45	1	3	5	13	1	5	9	22	14	35
7:00	5	2			2	0				
7:15	0	2			2	0				
7:30	2	3			2	3				
7:45	0	2	7	9	4	0	10	3	17	12
8:00	2	5			3	2				
8:15	3	4			1	1				
8:30	4	4			4	4				
8:45	2	0	11	13	3	0	11	7	22	20
9:00	3	5			3	3				
9:15	2	4			2	2				
9:30	2	1			3	0				
9:45	3	1	10	11	3	1	11	6	21	17
10:00	7	1			4	0				
10:15	1	4			1	3				
10:30	3	2			3	1				
10:45	2	2	13	9	2	0	10	4	23	13
11:00	5	0			5	2				
11:15	2	0			2	1				
11:30	3	0			6	0				
11:45	2	0	12	0	3	1	16	4	28	4
Total	70	143	70	143	82	128	82	128	152	271
Combined Total	213		213		210		210		423	
AM Peak	9:15 AM				11:00 AM					
Vol.	14				16					
P.H.F.	0.500				0.667					
PM Peak	4:45 PM				5:30 PM					
Vol.	23				24					
P.H.F.	0.639				0.600					
Percentage	32.9%	67.1%			39.0%	61.0%				